

ATELIERS D'ART FRANÇAIS

information required
for an estimate for

DORMER WINDOWS

Umicore France s.a.
Ateliers d'Art Français
Les Mercuriales
40, rue Jean Jaurès
93176 Bagnole Cedex

Tel.: +33 1 49 72 43 40
Fax: +33 1 49 72 43 42

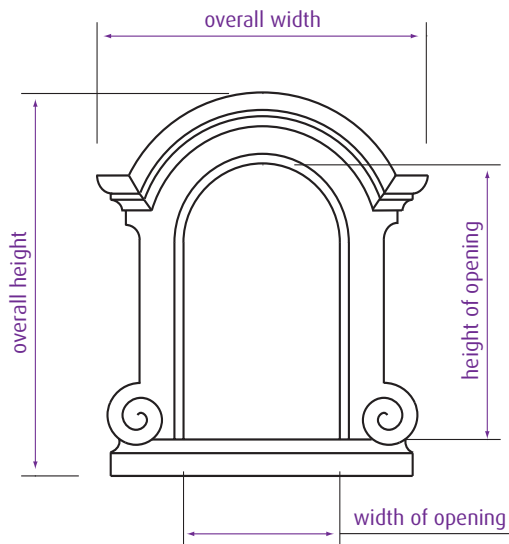
www.ornementation.com
www.ateliersdartfrancais.com
ateliersdartfrancais@umicore.com

A Umicore brand

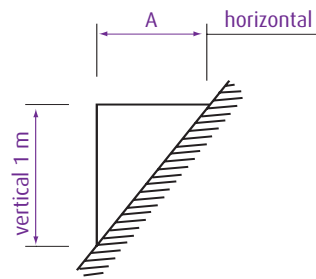
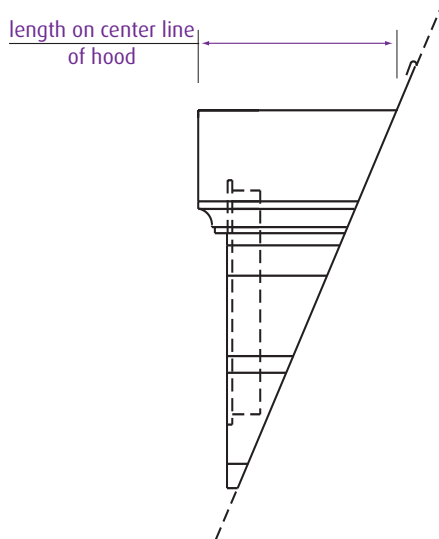


TAILOR-MADE DORMER WINDOWS

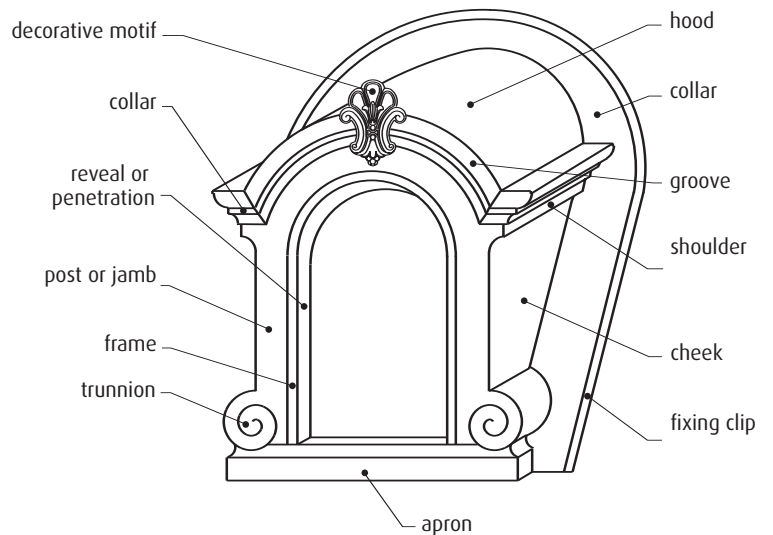
INFORMATION REQUIRED FOR AN ESTIMATE



■ Quantity
■ Roofing material	
slate	<input type="checkbox"/>
tile	<input type="checkbox"/>
metal	<input type="checkbox"/>
■ Opening	
height
width
■ Façade only	
<input type="checkbox"/>	
■ slope straight	
<input type="checkbox"/>	
imperial	
<input type="checkbox"/>	
dome	
<input type="checkbox"/>	
■ Slope (dimension of A mandatory)	
do not give degree or percentage.	
Give horizontal length A for a vertical length of 1m. E.g. 0.8m horizontal for 1 vertical meter.	



Dormer windows



you must attach a good quality photo to your request showing as details as many possible.